

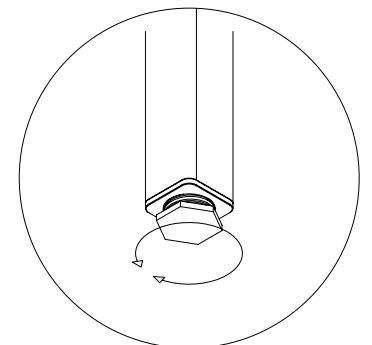
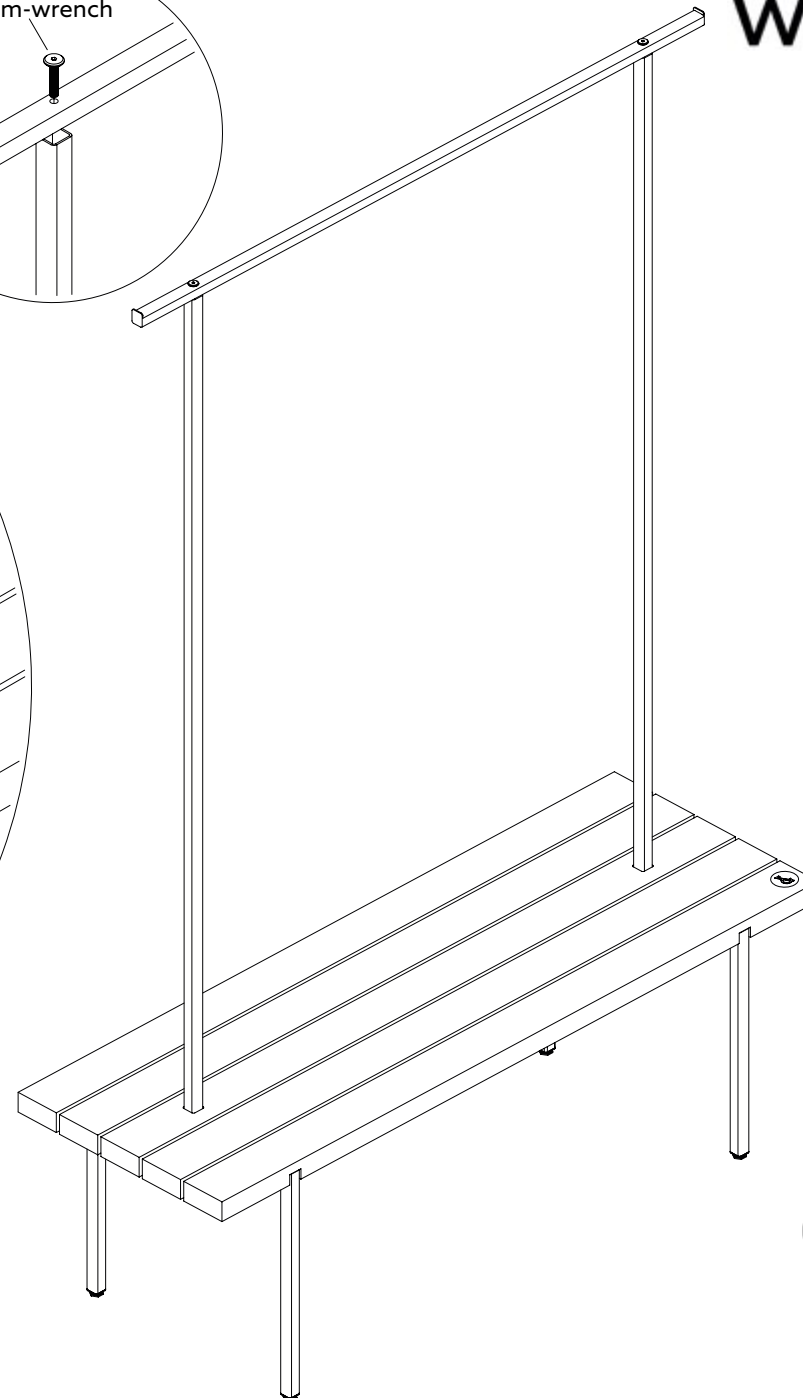
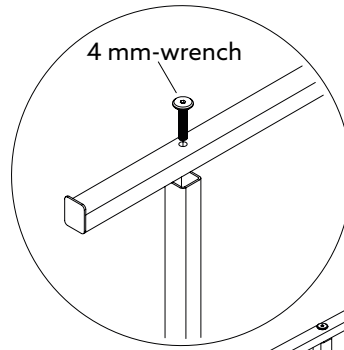
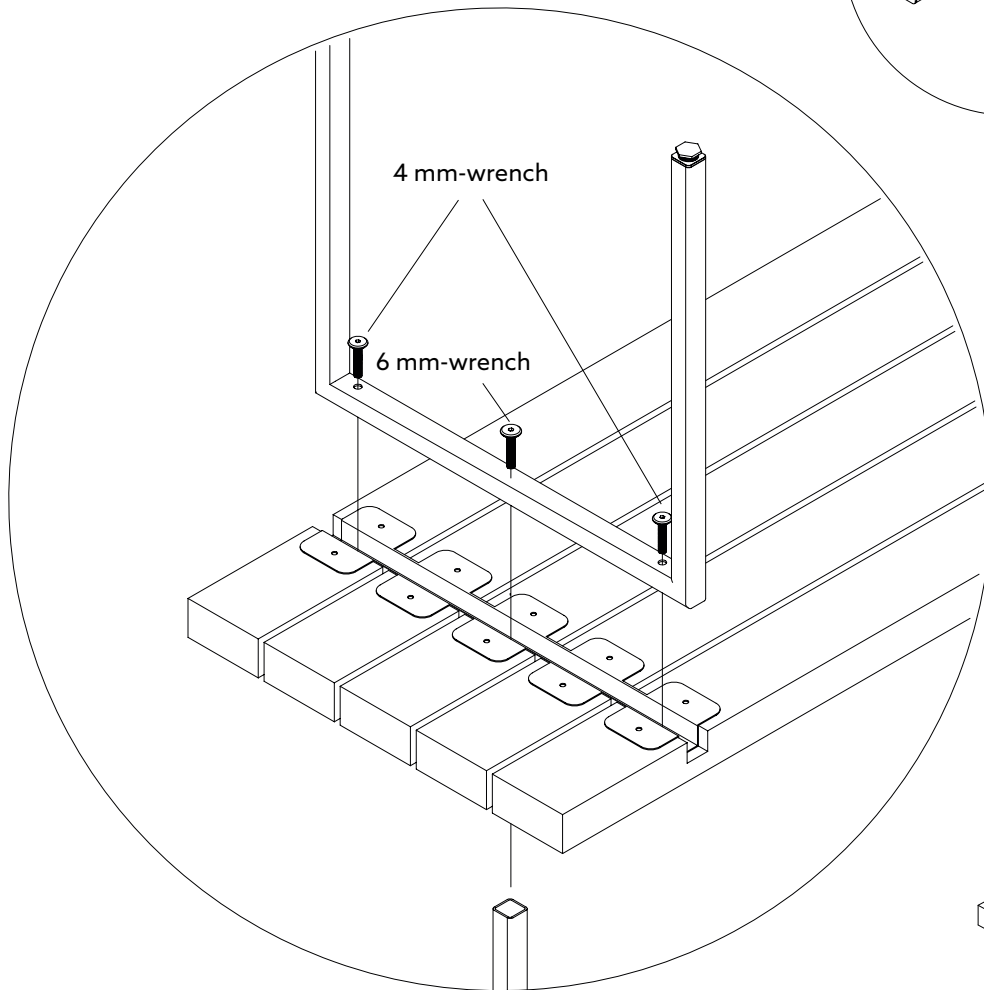
Mounting instructions

01 Coat Rack

weld & co

YOU'LL NEED:

- 4 mm-hexagon socket wrench
- 6 mm-hexagon socket wrench



OUR TIP:
Get a second person to mount the coat rack.

TECHNICAL SUPPORT:
post@weldco.de