

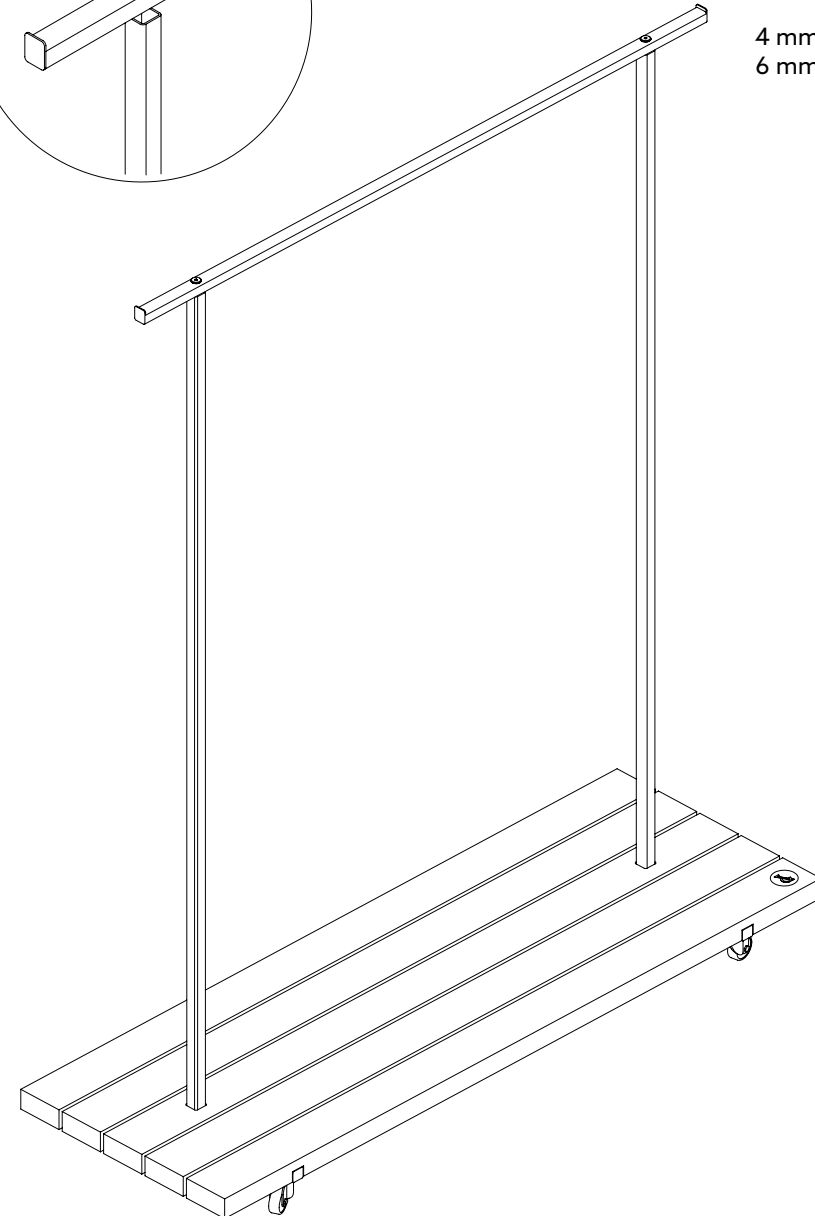
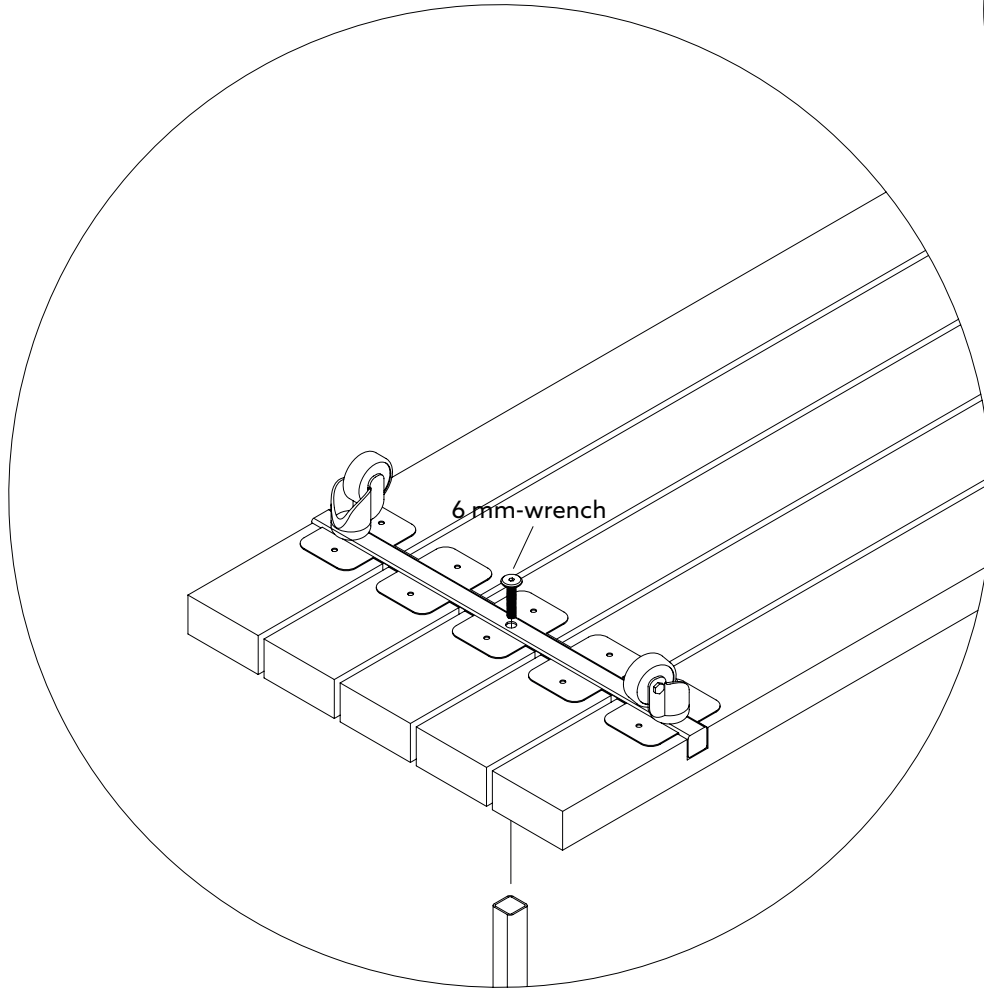
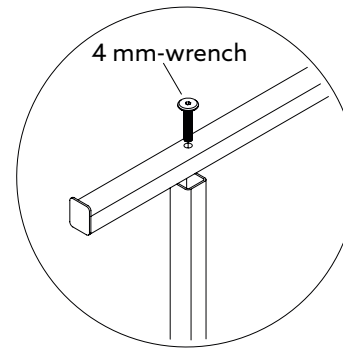
# Mounting instructions

## 01 Clothes Rack

# weld & co

### YOU'LL NEED:

- 4 mm-hexagon socket wrench
- 6 mm-hexagon socket wrench



**OUR TIP:**  
Get a second person to mount the clothes rack.

**TECHNICAL SUPPORT:**  
post@weldco.de