

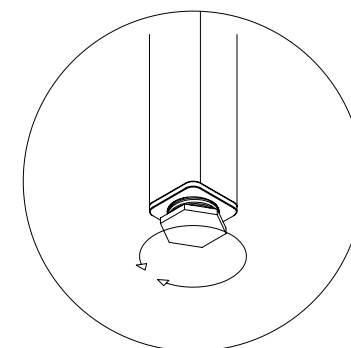
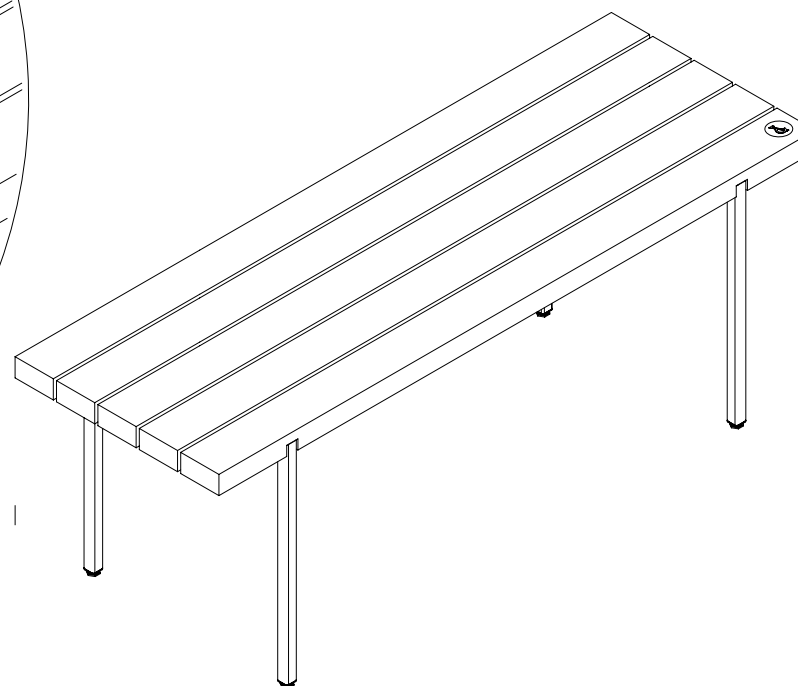
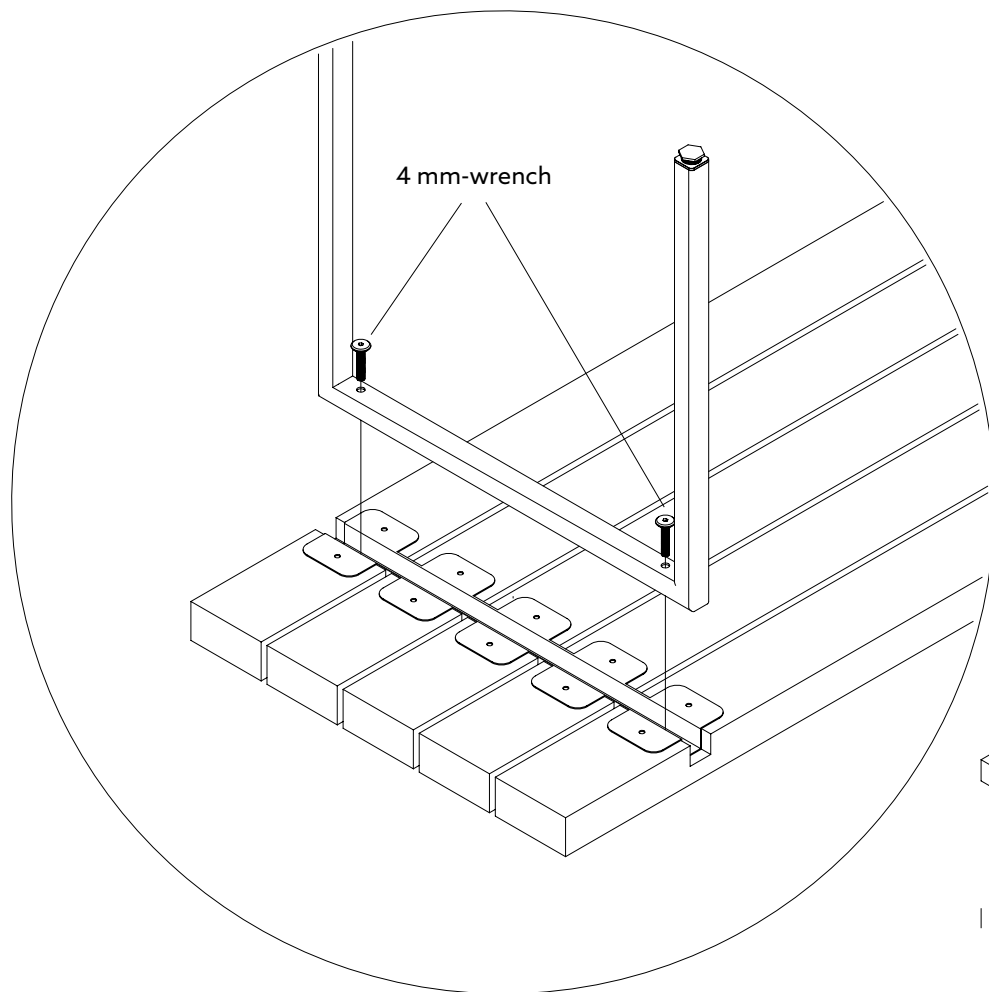
# Mounting instructions

## 01 Bench

# weld & co

**YOU'LL NEED:**

4 mm-hexagon socket wrench



**OUR TIP:**  
Get a second person to mount the bench.

**TECHNICAL SUPPORT:**  
post@weldco.de